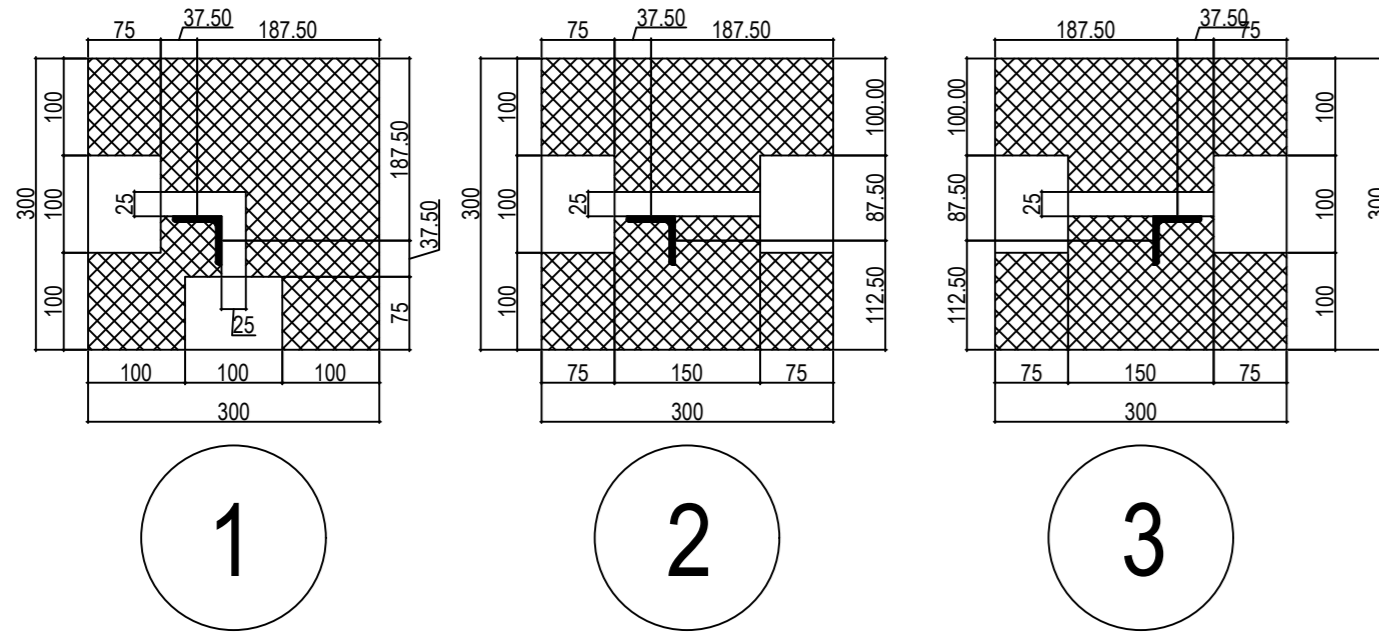
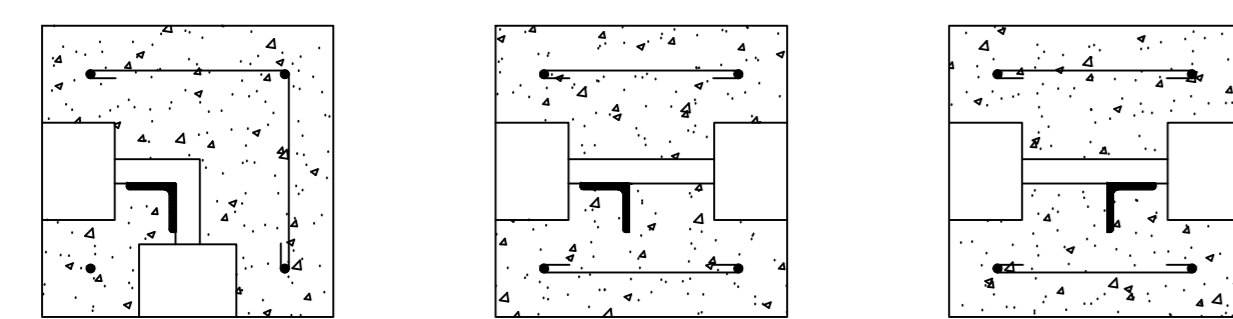


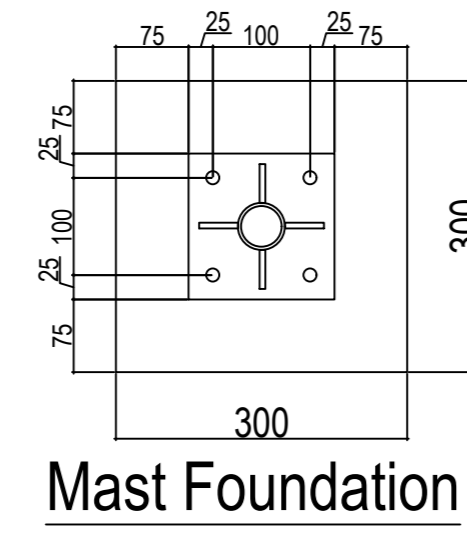
Fencing Beam Longitudinal & Cross Sectional View



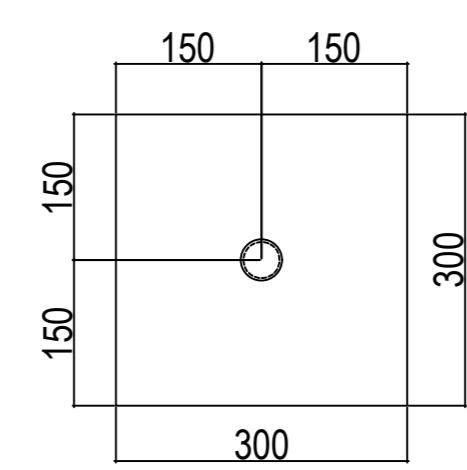
Section at S2-S2 for Pillar -01, 02, 03



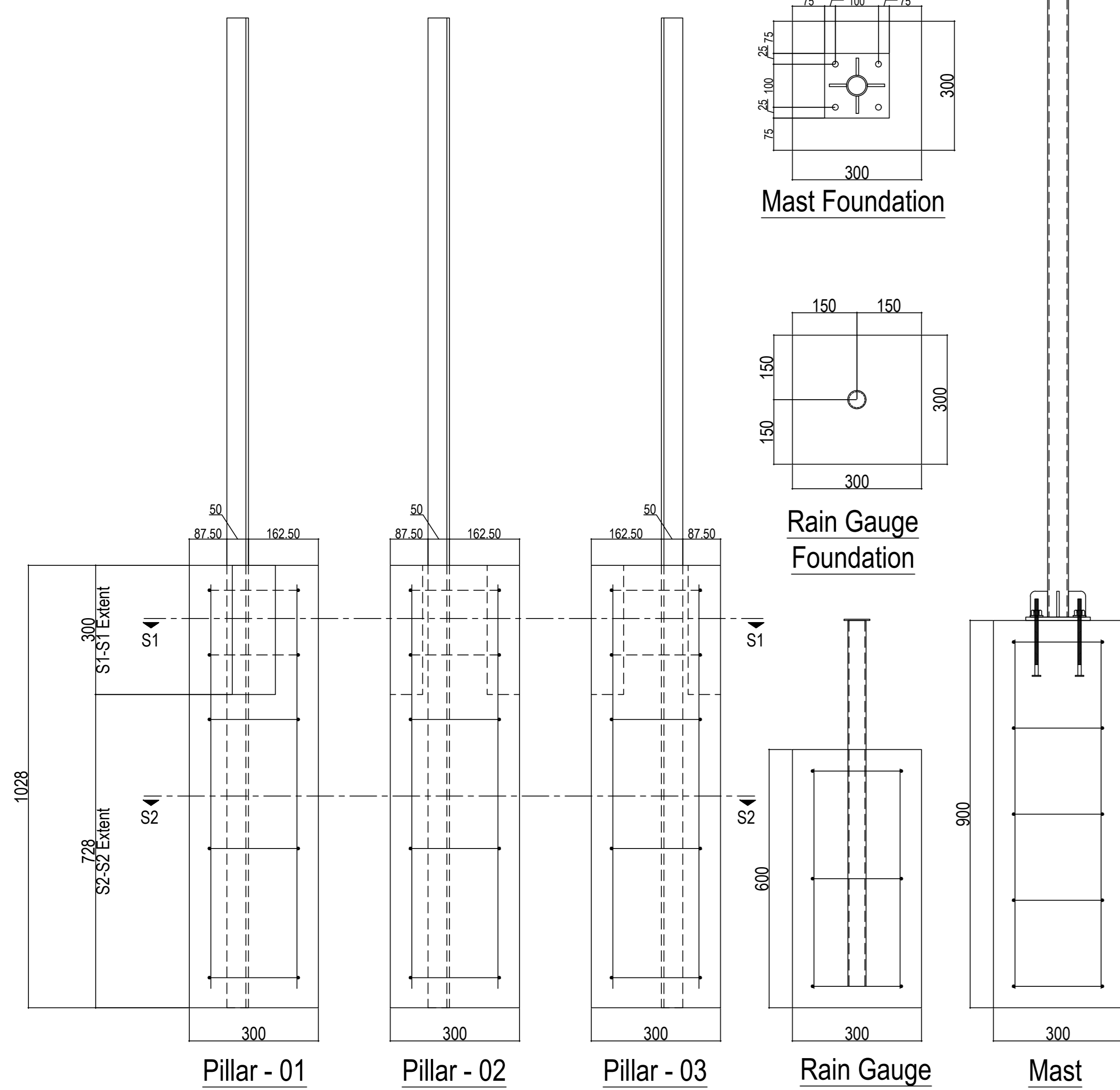
Section at S1-S1 for Pillar -01, 02, 03



Mast Foundation



Rain Gauge Foundation



Pillar - 01

Pillar - 02

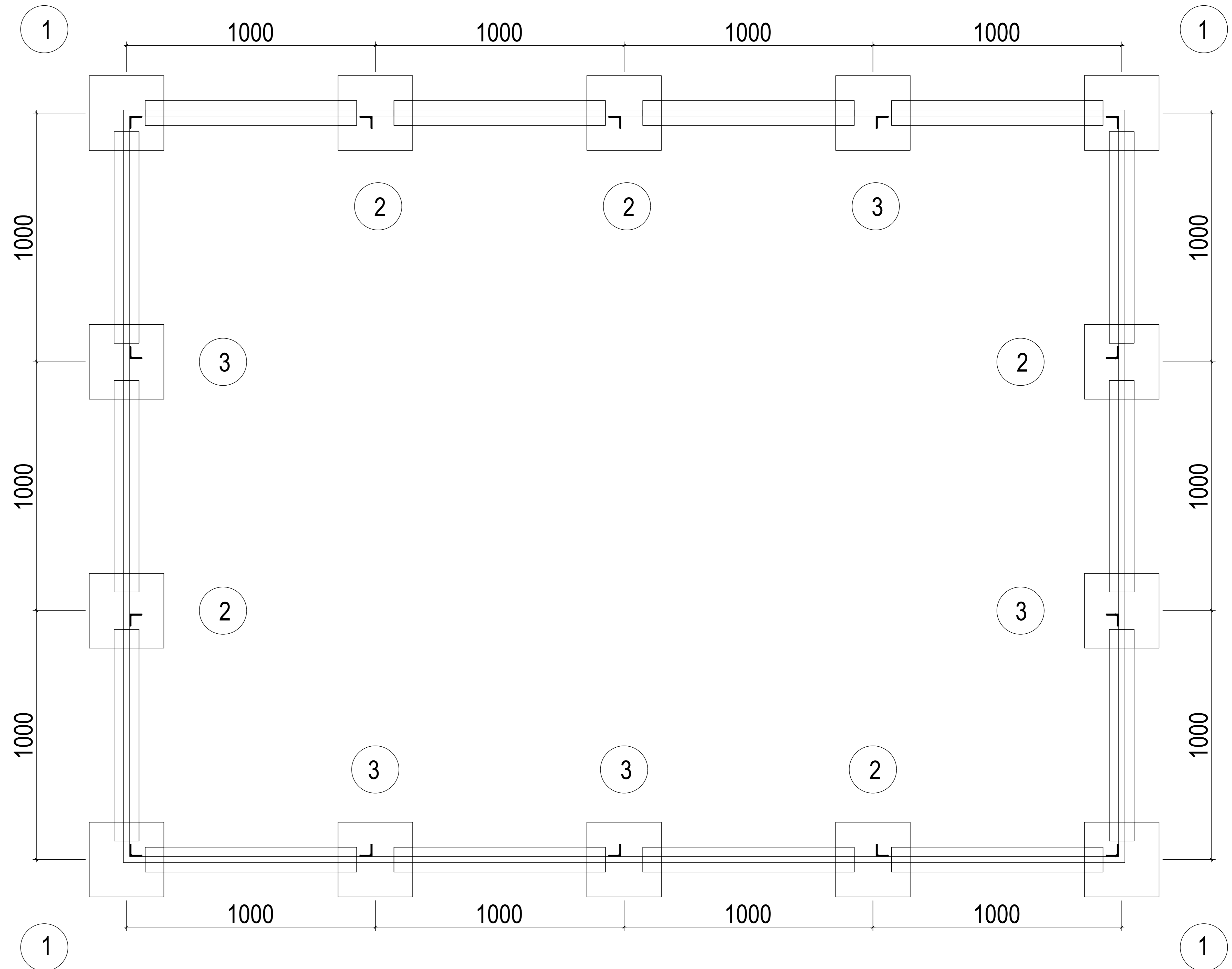
Pillar - 03

Rain Gauge

Mast

Important Notes:

- * All dimensions are in mm.
- * This drawing shall be read in conjunction with Bill of Materials provided separately.
- * Clear cover to steel reinforcement is 40mm.
- * The design details are proposed for demo purpose only. IFC drawing for bulk ordering will be released after getting the confirmation on successful installation.



Overall Plan / Layout of Fencing showing the exact placement of fencing pillars according to design